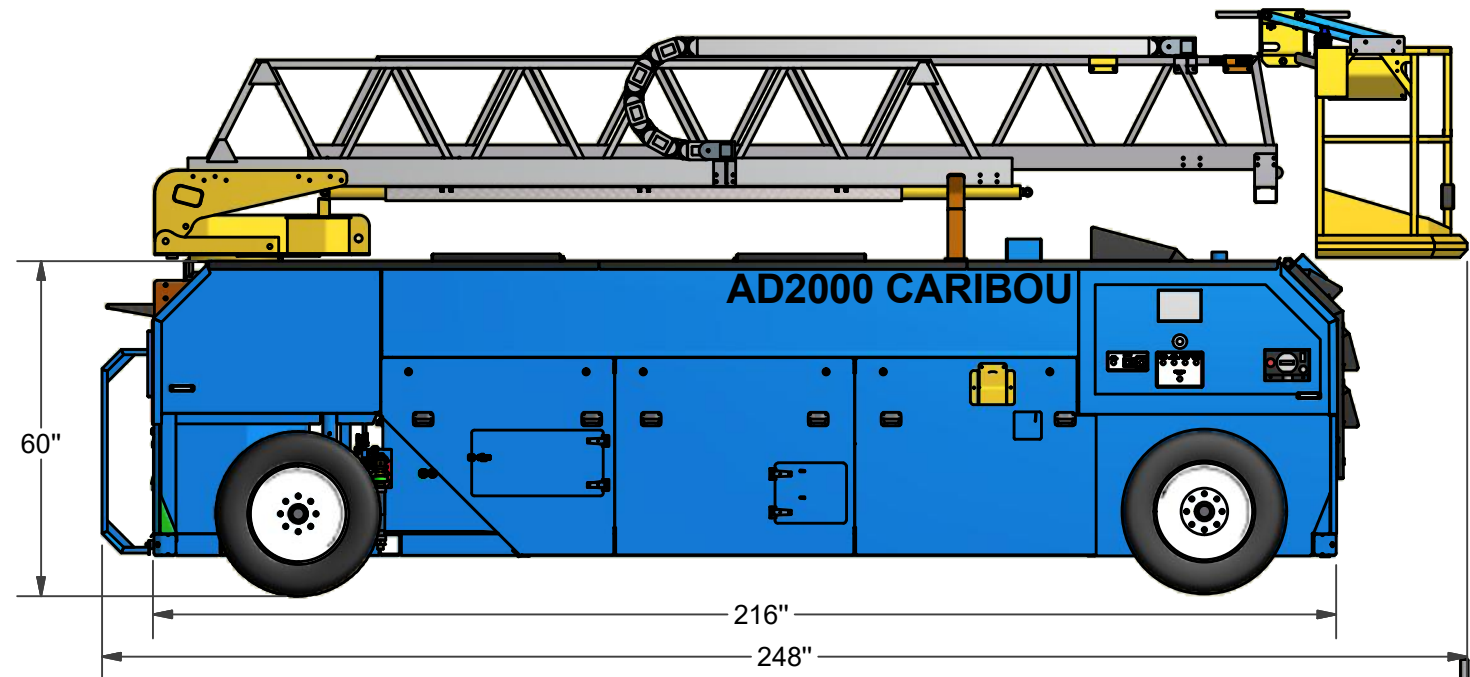
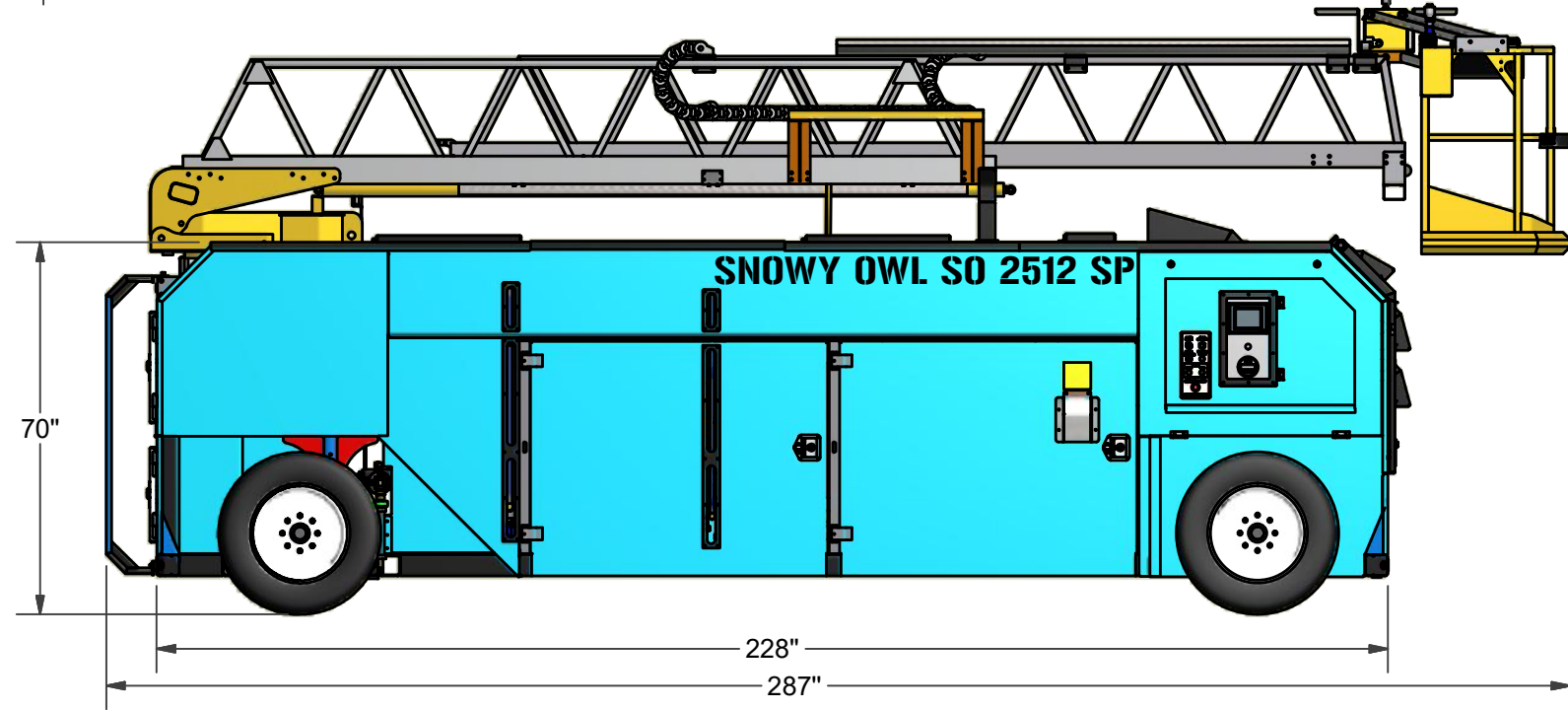



THESE DRAWINGS ARE THE PROPERTY OF CAM-CONCEPT INC.  
 INTELLECTUAL PROPERTY, THE IMAGE, THE INTEGRAL CONCEPT, THE INTERIOR AND EXTERIOR DESIGN, THE INNOVATIONS, THE HEATING SYSTEM,  
 STANDBY MODE, HYDRAULIC TRANSMISSION INCLUDING BRAKING AND DIFFERENTIAL LOCKING SYSTEM, CONTROL, PLC PROGRAMS  
 THE INVERSION SYSTEM OF THE CABIN ARE THE EXCLUSIVE PROPERTY OF CAM-CONCEPT WHICH PROHIBITS ANY WHOLE OR PARTIAL REPRODUCTION



**MODEL AD2000 (CARIBOU)**  
 2000 LITERS TYPE 1 DEICING FLUID  
 1000 LITERS TYPE 4 ANTI ICING FLUID  
 SINGLE COMBUSTION CHAMBER



**MODEL SNOWY OWL SO2512SP**  
 2500 LITERS TYPE 1 DEICING FLUID  
 1200 LITERS TYPE 4 ANTI-ICING FLUID  
 DOUBLE COMBUSTION CHAMBER

 Conception & Fabrication de Machinerie 145, rue de la Défense Nationale Saint-Raymond (QUEBEC) - G3L 4Y4 (418) 987-8282 CE DESSIN EST LA PROPRIETE DE CAM-CONCEPT TOUTE REPRODUCTION EST INTERDITE SANS AUTORISATION	<b>TOLERANCES</b> SAUF INDICATION CONTRAIRE/ UNLESS OTHERWISE SPECIFIED 0.0" ± 0.05" 0.00" ± 0.015" 0.000" ± 0.005" x/x" ± 1/32" Deg. ± 0.5° UNITÉS / UNITS :	DESS. PAR: JPR	TITRE:	POIDS: N/A WEIGHT: FAB: QTE / QTY:	PAGE: 2 DE: 3 OF:
		DRAWN BY: DATE: 2019-05-20 ECH.: SCALE: FORMAT: B No PROJ.: PROJ. No: CLIENT: CUSTOMER:	TITRE: MATERIEL: MATERIAL: MATIERE: FORM: DESSIN No: DRAWING No: 180233_MM1500_4_RD		

4

3

2

1

4

3

2

1

B

B

A

A